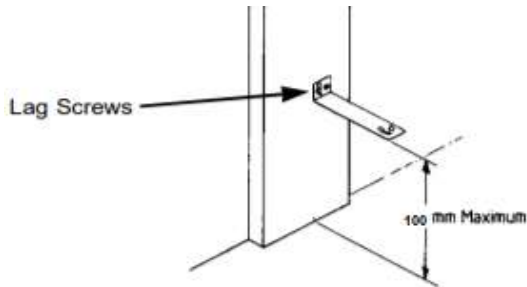


# Photo Beam Installation Instructions

Note – We recommend installation by a trained Technician

Always wear appropriate PPE

12-month product warranty



Securely affix suitable brackets at a maximum height of 100mm above floor level and a minimum of 2m apart.

There are three screw holes. The two bottom holes are elongated for adjustment of the sensor. The hole on the bottom centre can be used as a wire exit.

The units come with rubber gaskets, when fitting the cover, the rubber gasket should be used around the edge and we recommend silicone is applied to the mounting holes after installation.

This product is not designed to be fitted outdoors.

Be sure to switch the power to the opener off before installation

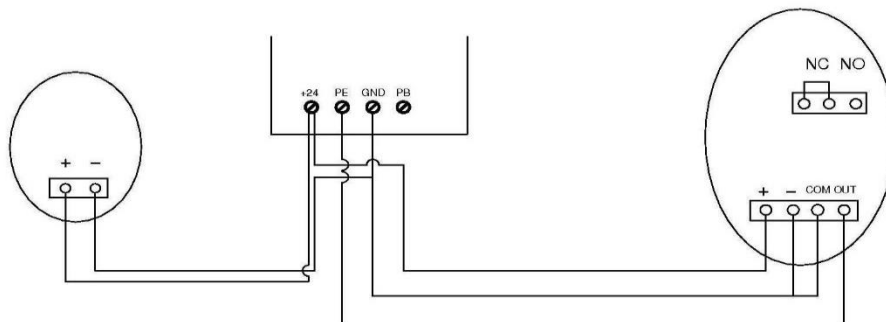
Connect both “+” terminals of the Photo Eye Beams to the “+24V” terminal on the opener

Connect “COM” and both “-” terminals of the Photo Eye Beams to the “GND” terminal on the opener

Connect “OUT” to the “PE” terminal on the opener

Be sure the Photo Beams are aligned, switch the opener power on and enable the Photo Eye function on the opener (consult opener manual).

Test functionality – If the photo beam is broken whilst the door is travelling downwards, the door should stop and retract to the fully open position



## Connection of photo beam/switch control

RECEIVER RANGE : <15M

POWER SUPPLY : 12 – 24V DC

WAVE LENGTH : 940nm

INPUT : RX 15mA – TX 30mA

OPERATING TEMP : -20° to 50°C

RELAY OUTPUT : 1A max 36V

