

## Battery backup Assembly & Installation

The Jaytech battery backup is powerful enough to run a sectional/tilt or roller door opener for up to 5 days of regular use.

Use only Jaytech 24v DC SLA battery packs. The use of incorrect voltage batteries may damage your opener.

Switch the power to the opener off from the main power point.

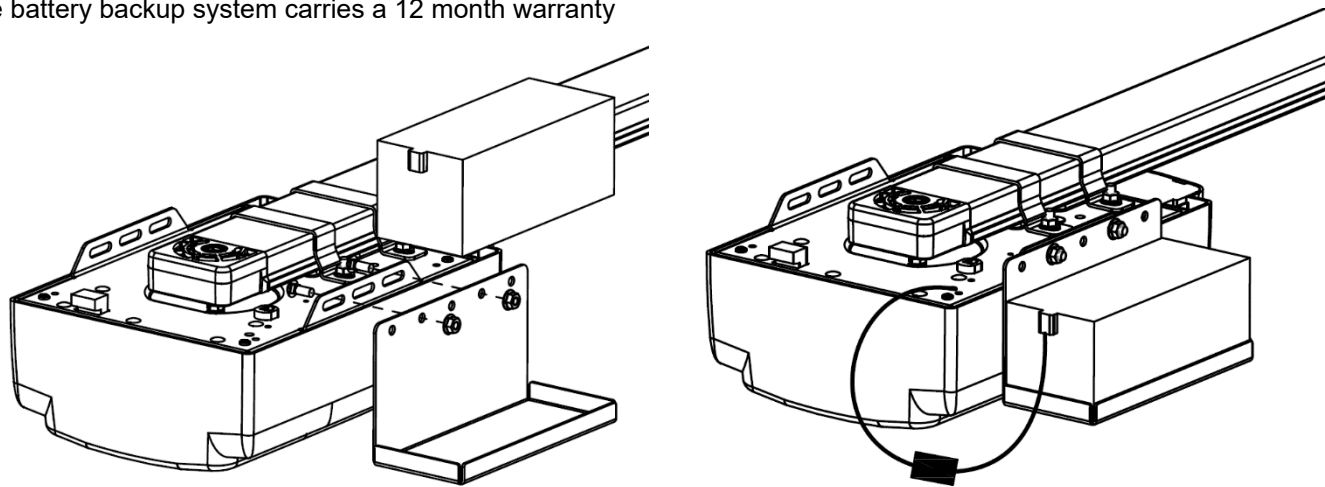
Assemble the battery using battery bracket, washers and nuts supplied. Connect the battery leads to the marked terminals on the internal PCB.

Switch the power back on.

The opener will automatically charge the battery.

The installation date of the battery should be noted and the battery should be replaced after 5 years.

The battery backup system carries a 12 month warranty



The connection procedure for a roller door opener is the same as for the sectional/tilt opener with the exception that the battery carriage may be mounted to a wall or bracket close by.

